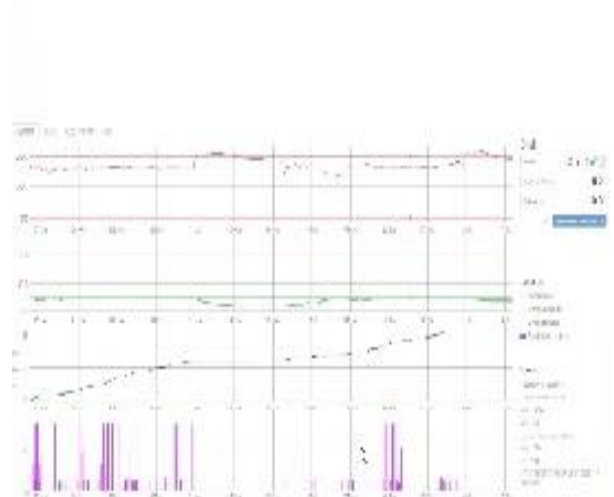


## NFC Sensor Tag - Ver. A02



**Illustration 1: Sensor Tag Enclosure**

The SENSOR TAG is available in several product configurations and delivers reliable accurate data about temperature, humidity and crash detection to you. Due to rugged enclosure types, the SENSOR TAG can be used in numerous application areas.

The stored measurement values are easily accessible via NFC and Bluetooth on an Android Smartphone. To check the measurement data as well as to parameterize the SENSOR TAG, a Web application is additional available.

For more custom software solutions for the management of measurement data or additional readers for data readout, please contact the local sales representative.

Date: 30.06.2022

# 1. Specification

Specification	
Frequency / Protocol	<ul style="list-style-type: none"> <li>- RFID HF (NFC) ISO 15693, 13.56 MHz</li> <li>- Bluetooth 5 BLE, 2.4 GHz</li> </ul>
Read range (depending on the tag type and surroundings)	<ul style="list-style-type: none"> <li>- NFC - up to 1 cm</li> <li>- Bluetooth (BLE) - up to 15m</li> </ul>
Type	Li-ion Rechargeable Battery powered (3.000 mAh)
Dimensions	145.0 mm x 65.8 mm x 40.0 mm
Mass	Approx. 200 g
Service life (depending on the activated sensors, the tag type, the operating temperature range, the mounting location and the configured measurement and data reading transmission over the entire operating period)	Up to 8 week
Memory capacity	<ul style="list-style-type: none"> <li>- Data saving supported up to 10.000 measurement data</li> <li>- Serial number 16 characters (alphanumeric)</li> </ul>
Sampling rate / measurement interval - Temperature / Humidity - Impact, inclination, operation time	Product specific Measurement-profiles are used
Battery monitoring	Yes
Operating temperature range	-25°C to +70°C (peek values)
Storage conditions	+10°C to +30°C at 20% RH to 60% RH
Sensor and alarm activation	Adjustable and ability of activation independently
Operating mode	<ul style="list-style-type: none"> <li>- According to the measurement interval and mode, all measured values are stored in the internal non-volatile memory</li> <li>- Proximity detection with Bluetooth</li> </ul>
IP rating	IP67
Mounting	Enclosure with holes for cable ties mounting or M3 screws
Product color	Grey
Device parameterization	<ul style="list-style-type: none"> <li>- Default parameters are set at production</li> <li>- On side parameterization with Android Smartphone</li> </ul>

## 1.1. Sensor Specification

Sensor Specification		
Relative Humidity	Operating range Resolution Accuracy	0 %RH to 100 %RH 0.04 %RH typical± 4.5 %RH, maximum ± 7.5 %RH @ 0 %RH to 10 %RH typical± 3.8 %RH, maximum ± 6.0 %RH @ 10 %RH to 20 %RH typical± 3.0 %RH, maximum ± 4.5 %RH @ 20 %RH to 80 %RH typical± 3.8 %RH, maximum ± 6.0 %RH @ 80 %RH to 90 %RH typical± 4.5 %RH, maximum ± 7.5 %RH @ 90 %RH to 100 %RH
Temperature	Operating range Resolution Accuracy	-25°C to +70°C 0.04°C typical ± 0.60°C, maximal ± 0.95°C @ -25°C to +5°C typical ± 0.30°C, maximal ± 0.45°C @ +5°C to +60°C typical ± 0.45°C, maximal ± 0.65°C @ +60°C to +70°C
Crash 3D Acceleration	Operating mode: Continuously	Up to 16.00 g, internal resolution 12bit, an alarm event is stored ODR – active=200Hz / standby=50Hz
Inclination	Operating mode: Continuously	In 20° counts beyond the threshold, an alarm event is stored
Expiration date	Operating mode: Continuously	An alarm event is stored
Geo Information	Operating mode: APP transmission	Transmission of the geographic data of the device by GSM cells Determination during the takeover process (variance up to 30 km - depending on mobile network)
Response time of the sensors		Application specific as it is dependent on, e.g., environmental temperature, air ventilation and mounting

The internal battery is installed by default. The NFC Sensor Tag also consumes energy in a deactivated recording state because of the used technology. Depending on usage and model self-heating of the device can occur. Devices may only be stored in original packaging. The applicable shipping regulations for batteries must be observed.

## 1.2. Product Variants

Sensor Tag product versions			
Part Number	Description	Power	Sensors
1000774	SENSOR TAG NFC Ver. A02	Rechargeable	Sensors: temperature, humidity, crash, impact, inclination, operation time, geo information

### 1.3. Enclosure Drawing

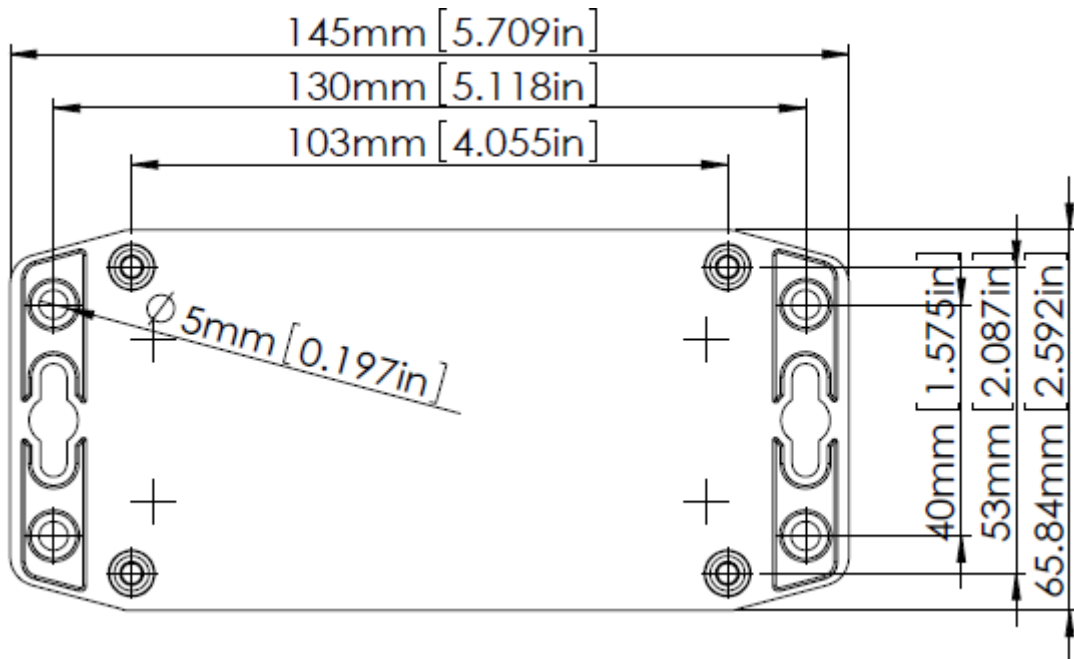


Illustration 2: Bottom View

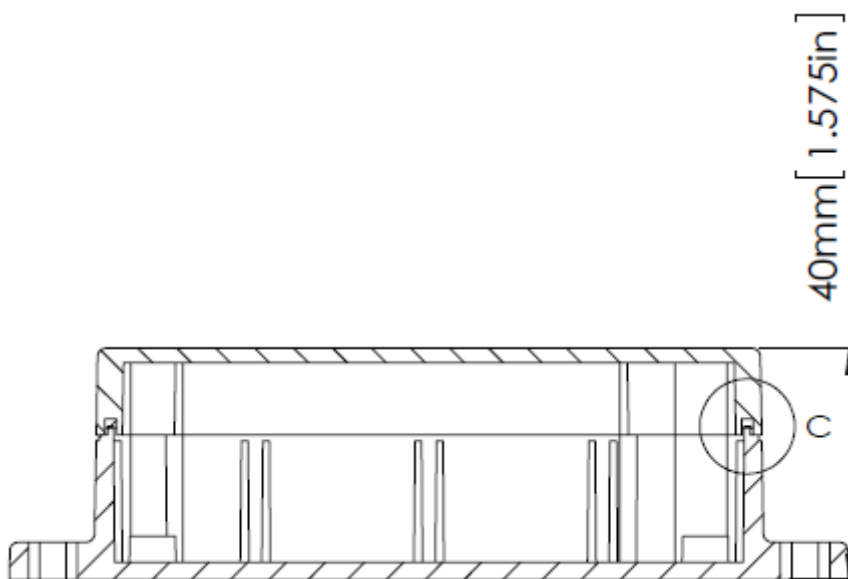


Illustration 3: Side View

\*... depending on the version and configuration of the product

All features, functionality and other product specifications are subject to change without notice or obligation.